

Product Information

UM3K-010..050G / A M / K / P

Flow Switch UM3K-...G / A

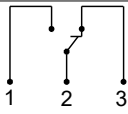
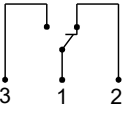


- Threaded connection
- Micro switch
- Low pressure loss
- Compact design
- Threaded connection
- Plug DIN 43650-A / ISO 4400

Characteristics

The devices function via the principle of a spring-supported paddle, and the magnetic triggering of a micro switch.

Technical data

| | | |
|------------------------------|--|--------------------------------|
| Switch/sensor | micro switch | |
| Nominal width | DN 10..50 | |
| Process connection | female thread G 3/8..G 1 (further process connections available on request) | |
| Switching range | 4..93 l/min | for details see table "Ranges" |
| Q_{max.} | to 150 l/min | |
| Tolerance | ±15 % of full scale value | |
| Pressure resistance | PN 25 bar | |
| Medium temperature | -20..+110 °C | |
| Ambient temperature | -20..+70 °C | |
| Media | water (oils, gases and aggressive media available on request) | |
| Wiring | changeover no. 0.371  optionally changeover no. 0.282  optionally red or red / green diode in the DIN 43650-A plug | |
| Switching voltage | max. 250 V AC | |
| Switching current | max. 5 A (round plug connector max. 4 A) | |
| Protection class | 2 - safety insulation | |
| Ingress protection | IP 65 | |
| Electrical connection | plug DIN 43650-A / ISO 4400, optionally for round plug connector M12x1, 4-pole | |

| | | |
|-------------------------------------|---|--|
| Materials medium-contact | <i>Brass construction:</i> CW617N nickelled, CW614N nickelled, 1.4310, 1.4301, hard ferrite, NBR | <i>Stainless steel construction:</i> 1.4305, 1.4571, 1.4301, 1.4310, hard ferrite PTFE-coated, FKM |
| Non-medium contact materials | ABS, PA, NBR | |
| Weight | see table "Dimensions and weights" | |
| Installation location | Standard: horizontal inwards flow; switching head not recommended underneath; other installation positions are possible; the installation position affects the switching point and range. | |

Ranges

Details in the table correspond to horizontal inwards flow with decreasing flow rate

| G | DN | Switching range l/min H ₂ O | Types | Q _{max.} recommended |
|---------|-------|--|---------------|-------------------------------|
| G 3/8 | DN 10 | 4.0 - 5.5 | UM3K-010G.055 | 10 |
| G 1/2 | DN 15 | 5.5 - 7.0 | UM3K-015G.070 | 20 |
| G 3/4 | DN 20 | 7.5 - 10.0 | UM3K-020G.100 | 40 |
| G 1 | DN 25 | 14.0 - 18.0 | UM3K-025G.180 | 60 |
| G 1 1/4 | DN 32 | 22.0 - 30.0 | UM3K-032G.300 | 80 |
| G 1 1/2 | DN 40 | 37.0 - 50.0 | UM3K-040G.500 | 100 |
| G 2 | DN 50 | 67.0 - 93.0 | UM3K-050G.930 | 150 |

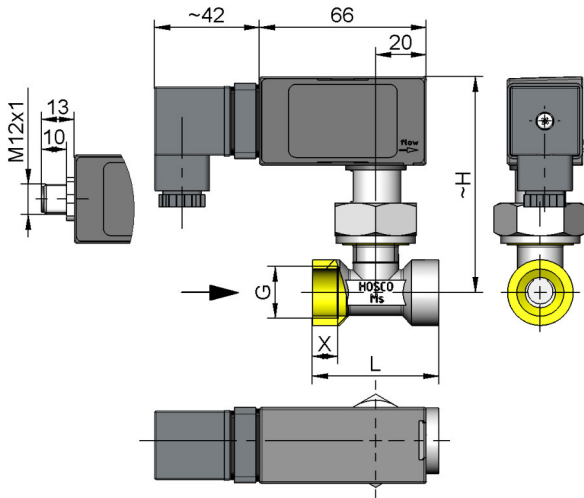
Special ranges are available.

Dimensions and weights

| G | Types | H | L | X | Weight kg |
|---------|------------|-----|----|----|-----------|
| G 3/8 | UM3K-010GM | 87 | 50 | 10 | 0.45 |
| | UM3K-010GK | | | | 0.50 |
| G 1/2 | UM3K-015GM | 88 | 50 | 10 | 0.40 |
| | UM3K-015GK | | | | 0.45 |
| G 3/4 | UM3K-020GM | 92 | 50 | 12 | 0.50 |
| | UM3K-020GK | | | | |
| G 1 | UM3K-025GM | 96 | 50 | 12 | 0.60 |
| | UM3K-025GK | | | | |
| G 1 1/4 | UM3K-032GM | 99 | 50 | 12 | 0.75 |
| | UM3K-032GK | | | | |
| G 1 1/2 | UM3K-040GM | 108 | 50 | 12 | 0.85 |
| | UM3K-040GK | | | | |
| G 2 | UM3K-050GM | 108 | 50 | 12 | 1.05 |
| | UM3K-050GK | | | | |

Product Information

UM3K-010..050G / A M / K / P



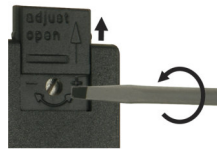
Handling and operation

Note

- Include straight calming section of 5 x DN in inlet and outlet
- When tightening the union nut, the connection piece must be countered using an open-ended spanner (SW 19).
- If the media are dirty, install a filter (use magnetic filter for ferritic components).
- It must be ensured that the values given for voltage, current, and power are not exceeded.
- When switched on, a load must be connected in series.
- The electrical details apply to ohmic loads. Capacitive and inductive loads must be operated using a protective circuit.

Adjustment

To adjust, open the slider. Adjustment is made using the adjustment screw with a lengthways slot; this is located under the valve.



Turn clockwise for a lower switching point; turn anticlockwise for a higher switching point.

After adjustment, close the slider again.

Example: The adjustment range 20 to 27 l/min corresponds to 7 l/min Adjustment option in 7 revolutions. Adjustment is therefore 1 l/min for each revolution.

Ordering code

UM3K - 1. 2. 3. 4.
 UM3K - G

| 1. Nominal width | |
|---|-------------------|
| 010 | DN 10 - G 3/8 |
| 015 | DN 15 - G 1/2 |
| 020 | DN 20 - G 3/4 |
| 025 | DN 25 - G 1 |
| 032 | DN 32 - G 1 1/4 |
| 040 | DN 40 - G 1 1/2 |
| 050 | DN 50 - G 2 |
| 2. Process connection | |
| G | female thread |
| 3. Connection material | |
| M | brass |
| K | stainless steel |
| 4. Switching range H ₂ O for horizontal inwards flow | |
| 055 | 4.0 - 5.5 l/min |
| 070 | 5.5 - 7.0 l/min |
| 100 | 7.5 - 10.0 l/min |
| 180 | 14.0 - 18.0 l/min |
| 300 | 22.0 - 30.0 l/min |
| 500 | 37.0 - 50.0 l/min |
| 930 | 67.0 - 93.0 l/min |

Options

- Connection for round plug-in connector
- Signal lamp red or red/green in the plug DIN 43650-A
- Gold contact 125 V AC / 30 V DC, 100 mA
- Protective bellows
- Switching ranges for oil or gas
- Special values
- Soldered copper fitting
- Adhesive PVC fitting
- Male thread G 1/2 A - brass

Ordering information

- Specify direction of flow, medium, and switching range.
- For oils, state viscosity, temperature and designation (e.g. ISO VG 68) (enquire about range).
- For gases, state pressure (relative or absolute), temperature and medium (e.g. air) (enquire about range).