

**Product Information**

**Displays**

# Plug-In Display GIA 0420 VO(T)

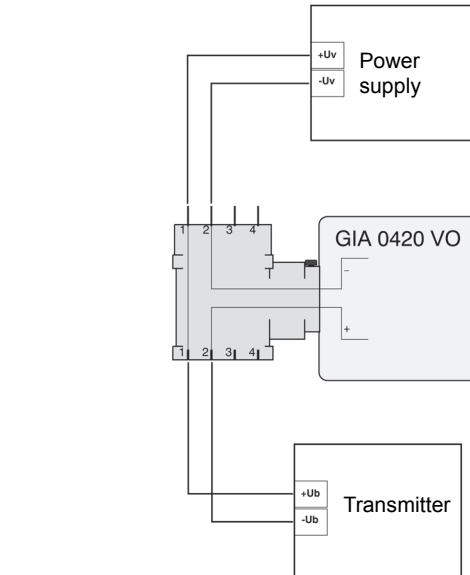
**Dimensions**

Housing : 48.5 x 48.5 x 35.5 mm (L x W x D)  
without elbow-type plug

**Connection diagram**



- Self-supplying plug-in display
- Freely scaling via 3 buttons
- Integrated self-diagnostic



**Characteristics**

The GIA 0420 VO is a microprocessor-controlled displaying device for 4..20 mA standard signals.

Any transmitter (with 4..20 mA output) can be connected to the device. The range adjustment of the GIA 0420 to the transmitter is done by entering the initial and final value and the decimal point position. No additional auxiliaries are needed for this adjustment, but the three buttons accessible after removal of the cover. The device is mounted by easy plug-in of the special adapter (elbow-type plug according to EN 175301-803/A)

The GIA 0420 VO doesn't need a separate auxiliary supply but is directly supplied by the measuring current. It has an integrated self-diagnostic which checks the device that it works correctly. This self-diagnostic together with the transmitter's check for "sensor break" and "sensor short circuit" and range exceeding or falling below ensures an optimum of operational reliability.

**Design types**

VO	<b>With elbow-type plug</b> special adapter design for elbow-type plug (EN 175301-803/A) for easy plug-in (standard, as per description)	
WK	<b>With cable connection</b> electric connection via 2 m long connection cable with loose ends for connection to any standard signal source 4..20 mA	

**Technical data**

**Measuring input**

Input signal : 4..20 mA (2-wire)  
Accuracy : ± 0.2 % FS ±1 digit  
Measuring rate : 5 measurements / seconds  
Filter : adjustable  
Voltage load : approx. 2 V

Power supply : self-supplying: devices is supplied directly from measuring current

Working temperature : 0..50 °C

**Display**

Display : LCD display  
Height : 10 mm  
Display range : -1999..+9999 digit  
Decimal point : any position  
Scaling : freely scalable via 3 buttons (accessible after cover has been removed)

**Connection** : special plug design for elbow-type plug (EN 175301-803/A) for easy plug-in

**Housing** : ABS, front screen made of polycarbonate

Protection class : front IP65

**Product Information**

**Ordering code**

1. 2. 3. 4.  
**GIA0420**  -  -  -

<b>1. Version</b>	
VO	Plug-in display for rectangular connectors EN 175301-803
M12	Plug in display for 4-pole M12-A connectors
WK	Cable connection
<b>2. Buttons</b>	
0	Upper section without buttons (key access by opening instrument)
T	With buttons
<b>3. Options</b>	
00	without option
EX	With explosion protection for explosion-prone areas
S1	With explosion protection for explosion-prone areas, not for M12
S2	2 display with galvanically isolated switch output, including 1 m cable, not in combination with option ,ex'
WE	customized factory setting
<b>4. Connection</b>	
	Special adapter design for rectangular connectors EN 175301-803/A
13	Special adapter design for M12-A connectors, 1+ ,3-
12	Special adapter design for M12-A connectors, 1+ ,2-
24	Special adapter design for M12-A connectors, 2+ ,4-
	Connection cable longer then 2 m

Other design types (Input signal: 0..10 V) on request.