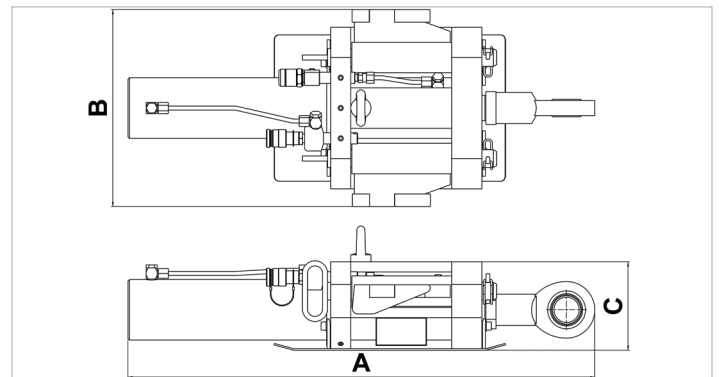


Technical specification sheet

SPPU-S | Push-Pull Unit

Specifications			
article number			100.002.510
short description			Push-Pull Unit
model			SPPU-S
max. working pressure	psi		10443
tonnage	lb		57320.0
stroke	in		20.5
capacity (press)	lbf		57326
capacity (retract)	lbf		60024
effective pressure area (press)	sq. in.		8.8
effective pressure area (retract)	sq. in.		5.8
required oil content (press)	oz		99.8
required oil content (retract)	oz		65.2
acting type			double
return type			hydraulic
material			steel
weight, ready for use	lb		251.3

Technical drawing dimensions			
dimension A	in		36.5
dimension B	in		15.4
dimension C	in		6.9



holmatro.com

© Holmatro 2025-10-10

While the greatest care has been devoted to the content, it is possible that the information in this printed matter is incorrect or incomplete. Holmatro B.V. and its affiliated companies (hereafter: Holmatro) cannot be held liable in any way for the consequences of activities undertaken on the basis of this printed matter. Values can vary within the manufacturer measurements. If you have any doubts about the correctness or completeness of the information, you shall contact Holmatro (T +31 (0)162-751480). Nothing from this printed matter can be copied and/or made public in any way without the explicit authorisation of Holmatro.